

Haier

Global
No.1
2009-2020 for 12 years
Euromonitor International Limited

NON-INVERTER



Haier Air Conditioning



ADDRESS Unit H-08-03, Level 3, Block H, Setiawalk, Persiaran Wawasan, Pusat Bandar Puchong, 47160 Puchong, Selangor Darul Ehsan.

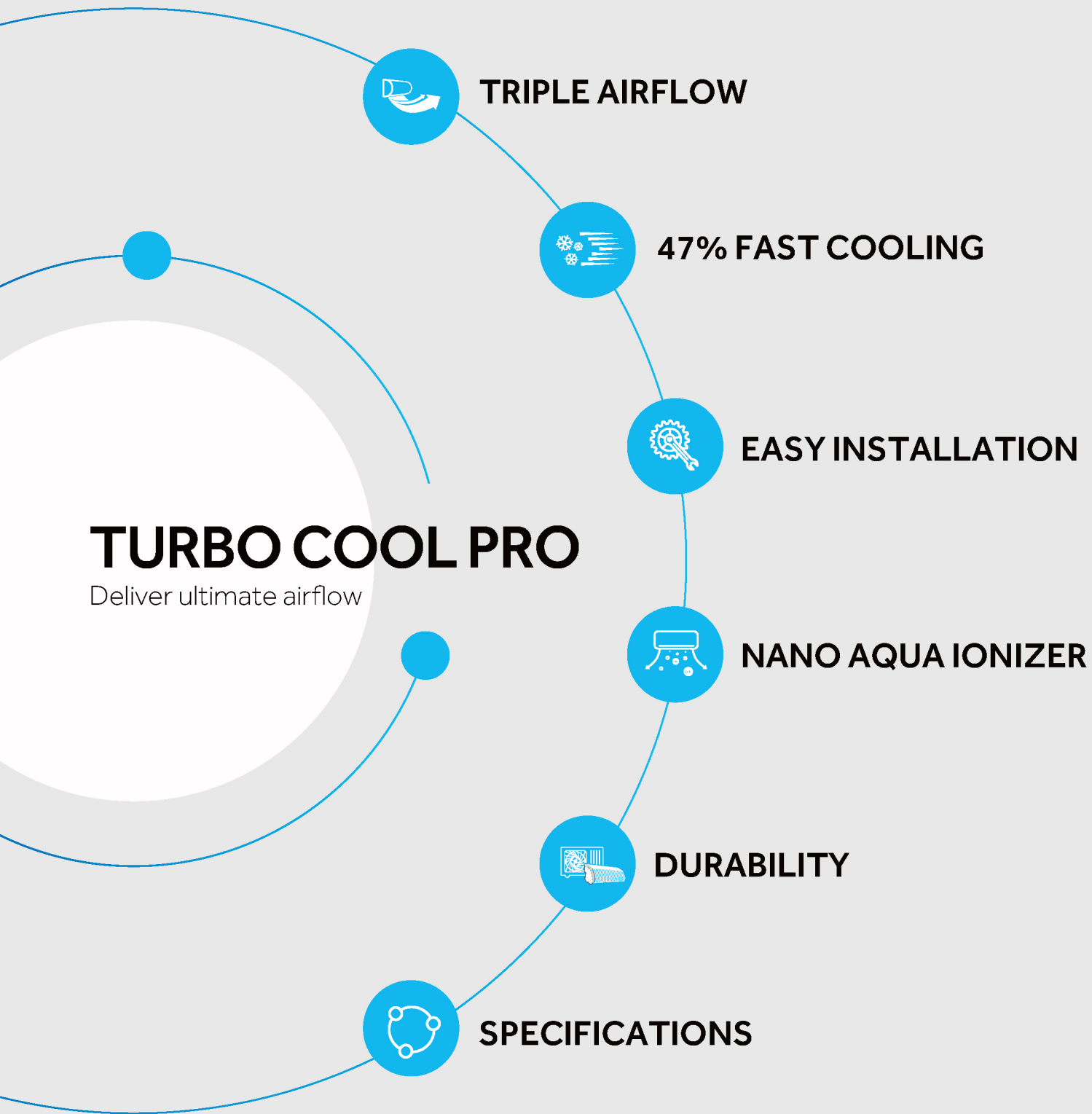
CONTACTS Tel: 1800 88 6666

WEBSITE www.haier.com/my

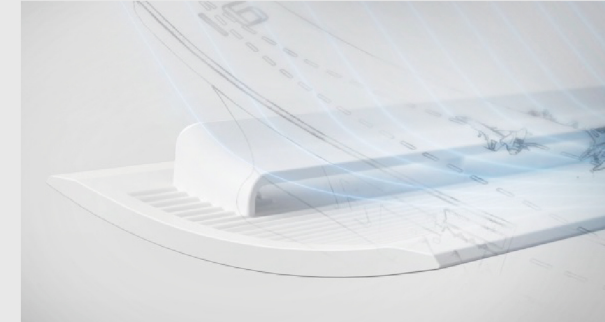
 **Global No.1 Self-Clean
Air Conditioner Brand**

Haier is the number one brand of healthy Self-Clean air conditioner in the world, with a market share of over 46% in terms of volume sales in 2020.

ENERGY SAVING & HEALTHY AIR PROVIDER

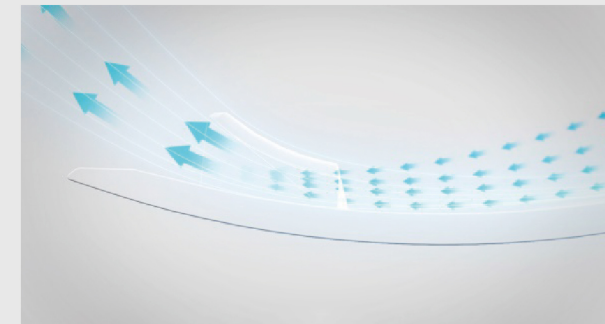


TECHNOLOGY



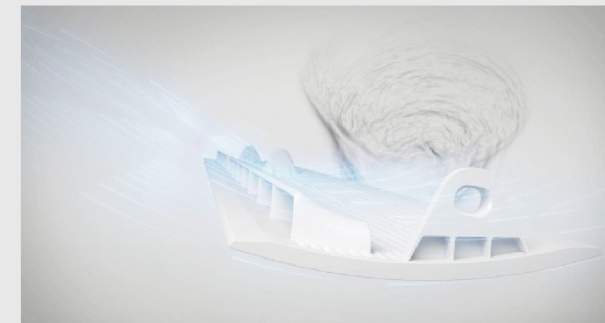
Further

We designed a new dual-blade wind deflector. The upper flight deck-shaped part directs the air upward by 35 degrees to the ceiling, so cool air is delivered higher and further.



Faster

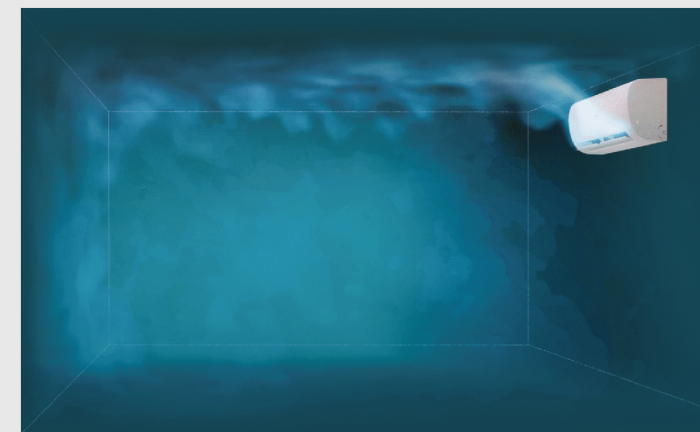
According to the principle of the narrow tube effect, the optimal pressure expansion duct that is narrow inside and wide outside. Venturi Effect occurs when air flows through the duct in the middle, like the flood gushing out of a dam. The airflow comes out at a much higher speed.



Stronger

The airflow behind the bottom part is absorbed tightly by the negative pressure generated by the faster airflow above, joins the main airflow and makes it even more stronger.

BENEFIT



Ceiling Cooling

- More comfortable. The air will not blow directly at human body and cool air is evenly distributed.
- Airflow centralized, further, faster to reach set temp.

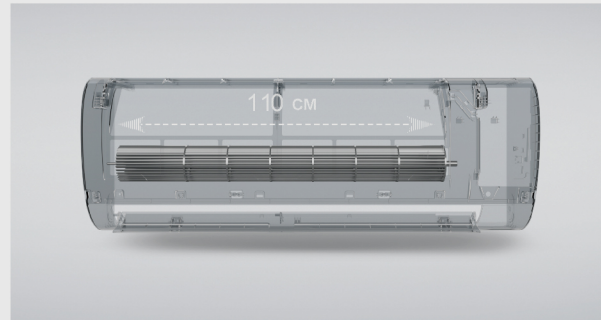


47% FAST COOLING



EASY INSTALLATION

TECHNOLOGY



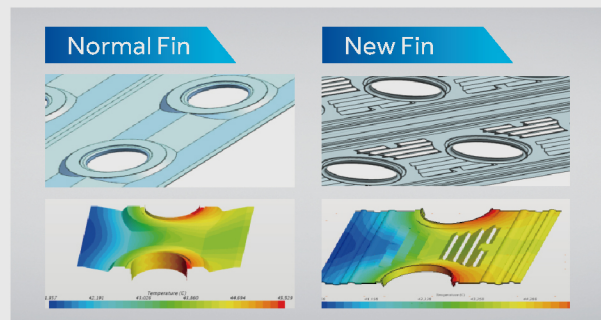
Better Air Duct

The air inlet is enlarged by 17%. The space between the evaporator and the front panel, and the air outlet are also enlarged. The optimization helps increase the airflow volume.



High Efficiency Tube

- **The spiral angle of 30°**
Optimize fluid disturbance within condenser tube, and increase 16% of heat transfer area with the spiral angle of 30°.
- **The 18° small gear**
The 18° small gear ensures sufficient heat transfer of liquid refrigerant.



Curved Dual-Wing Fin

Efficiency
50% up



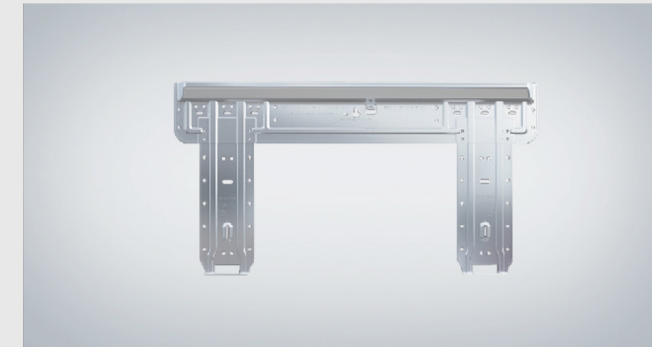
BENEFIT

Compared to middle fan speed, when the air conditioner under the turbo mode, it could bring you turbo cool experience like below:

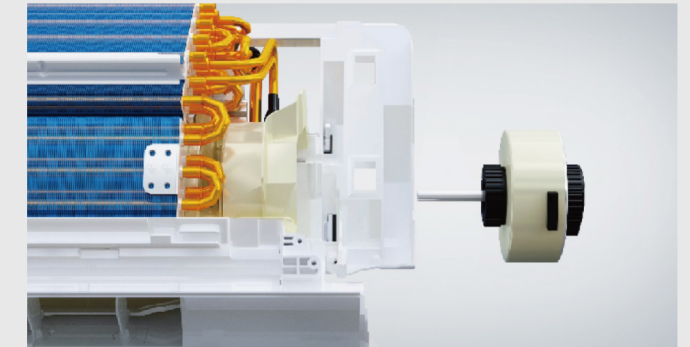
- Cooling down the room 1.5°C lower in **3** minutes, and **47%** faster *
- Air volume is increased by **25%** **
- Airflow distance is **20%** m+***

*Test condition: T1 condition, starting from 30°C to 25°C, Room size: 5mX4mX3m, Model: AS18NXXXX
 ** Test condition: Model: Nebula 24000BTU, with fan speed set turbo mode under stable working condition in an air tight room
 *** Test condition: AS09XXXXXX and AS10XXXXXX with fan speed set turbo mode under stable working condition in an air tight room

TECHNOLOGY



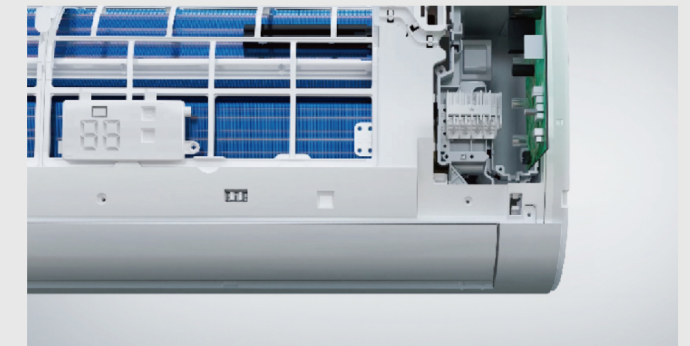
Positioning Specifications



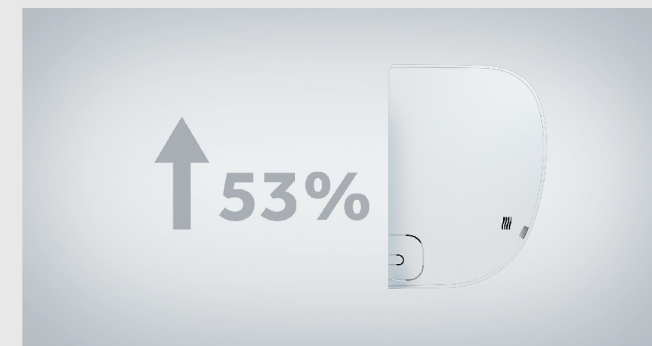
Easy Access Fan Motor



Extended Kickstand



Easy Access Control Board



Wider Tubing Space



Easy Access Swing Leaf

BENEFIT



Saving 50% of installation time



Saving 80% of maintenance time



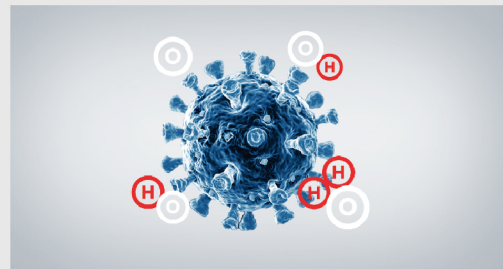
NANO AQUA IONIZER

TECHNOLOGY



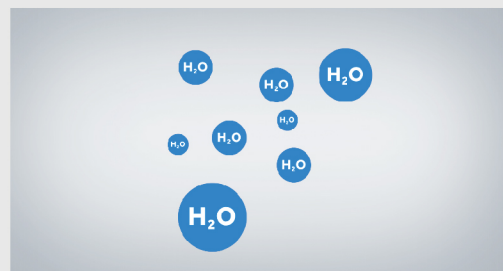
Step 1 Ions release

Water molecular in the air is ionized into positive and negative ions and being released into the air.



Step 2 Works on molds and viruses

When it's attached to molds and viruses it could produce the active substance - hydroxyl radical (OH), which could extract (H) from the surface protein. Then break down the protein structure of harmful substance and make them inactivated.



Step 3 Produce water molecules(H₂O) to the air

(OH) bond with (H) of molds and viruses to produce water molecules(H₂O) to the air.

The Anti-bacteria rate of Nano AQUA Ionizer technology can reach **97.5%**

BENEFIT

Deliver Refreshing Air



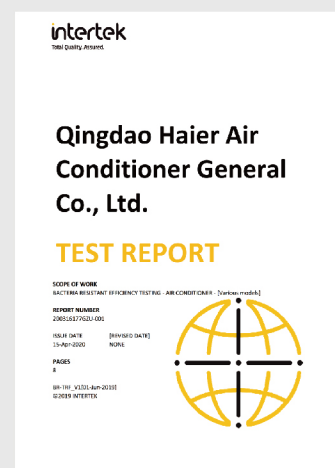
Nano-aqua sterilization increases negative ions in the air that significantly improves the air quality to ensure your fresh breath.

Keep Comfortable Humidity



The ions effectively retains your skin moisture to keep your skin smooth and glowing. It gives your better way to enjoy higher quality of life.

Intertek Certification*



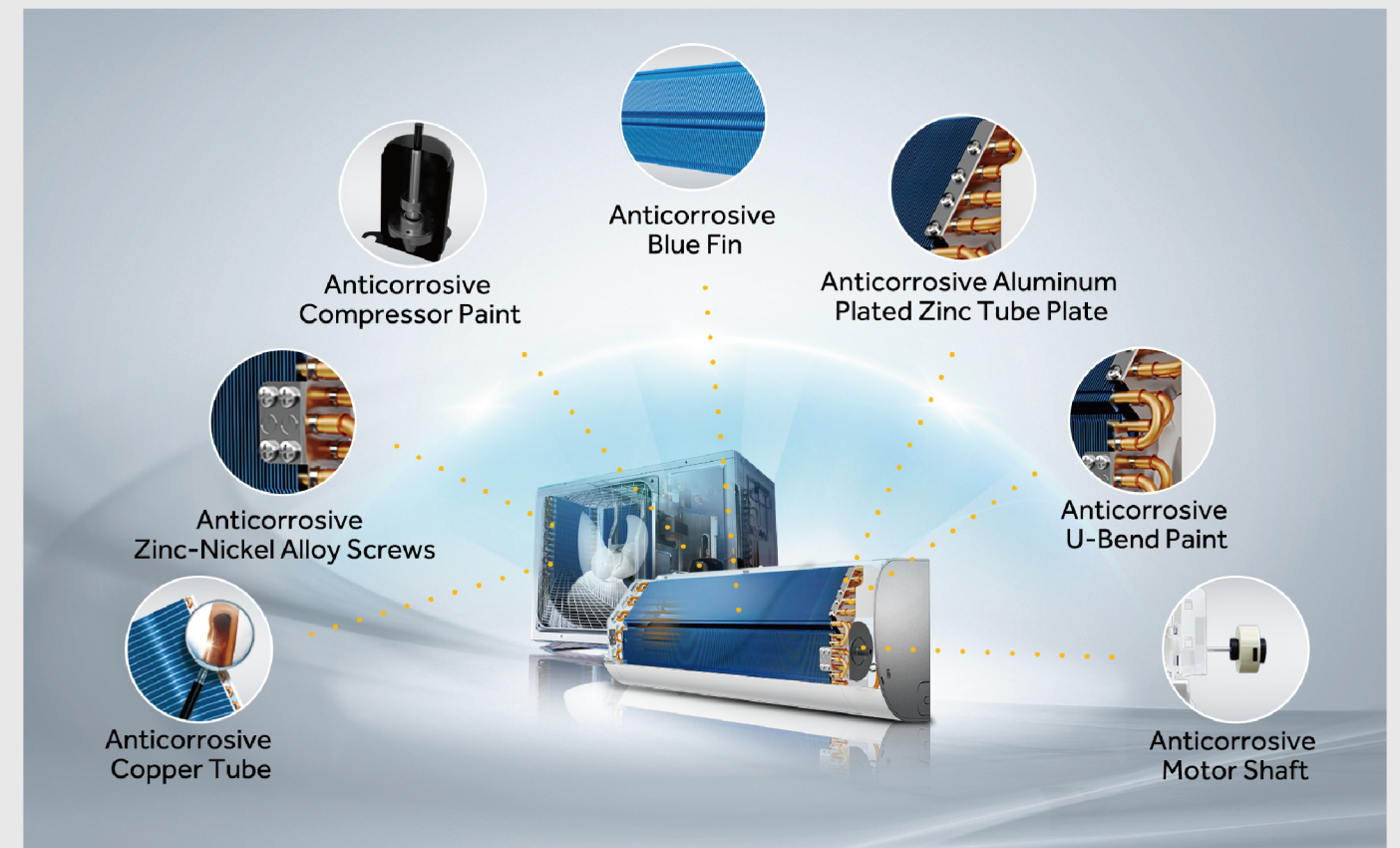
*The Bacteria Resistant Efficiency Testing is tested on model HSU-07HNF303/R2-G by Intertek. The test reports shows that the anti-bacteria efficiency of nano-aqua sterilization is up to 97.54%.



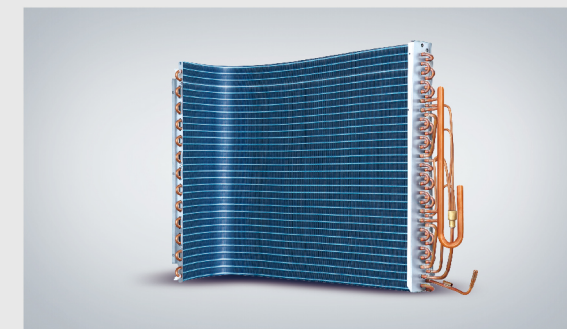
DURABILITY

TECHNOLOGY

We have built an anti-corrosion system, the special anti-corrosion materials includes copper tube, zinc-nickel alloy screws, compressor paint, blue fin, aluminum plated zinc tube plate, u-bend paint and motor shaft.



Blue Fin



Haier adopts new generation blue aluminum fin which specializes in strong corrosion resistance and super hydrophilic performance for both evaporator & condenser.

100% Copper



Copper is more resistance to corrosion than aluminum. Haier copper pipe could protect itself from rusting.

BENEFIT

The anti-corrosion system could prevent the corrosion damage and enhance the durability of AC unit.

Turbo cool pro R32 Non- Inverter Malaysia 3 star



Turbo cool pro R32 Non- Inverter Malaysia 3 star



Model	Indoor		HSU-10LPA21	HSU-13LPA21	HSU-19LPA21	HSU-25LPA21
	Outdoor					
Capacity (W)	W		2812	3516	5275	7327
	BTU		9600	12000	18000	25000
Power input (W)	Cooling		845	1128	1795	1980
CSPF			3.40	3.30	3.20	3.93
Star Rating			3	3	3	3
Running current (A)	Cooling		3.72	5.10	7.90	8.9
Power supply (Ph/V/Hz)			1/220-240/50	1/220-240/50	1/220-240/50	1/220-240/50
Air circulation (m³/h)			680	700	1,100	1200
Moisture removal (10³m³/h)			1.4	1.6	2.0	2.0
Refrigerant			R32	R32	R32	R32
Refrigerant pipe (mm)	Liquid side diameter		6.35	6.35	6.35	6.35
	Gas side diameter		9.52	9.52	12.70	15.88
Indoor						
Net dimension (mm)	W/D/H		805/200/292	805/200/292	975/220/318	1106/240/345
Package dimension (mm)	W/D/H		874/270/363	874/270/363	1035/385/285	1176/420/320
Net weight (kg)			9.0	9.2	13.0	15.2
Gross weight (kg)			11.0	11.2	15.0	18.6
Noise [dB(A)] (Hi/Mid/L0/So)			40/37/34/29	40/37/34/29	48/45/41/38	49/47/44/39
Outdoor						
Net dimension (mm)	W/D/H		695/245/430	800/280/550	800/280/550	890/340/705
Package dimension (mm)	W/D/H		810/354/490	954/409/625	954/409/625	1046/460/780
Net weight (kg)			22.5	29.0	34.5	49.6
Gross weight (kg)			25.5	31.0	38.5	53.1
Noise [dB(A)]			53	52	56	54
Max Pipe Length(m)			15	15	25	25
Max Pipe Height(m)			10	10	15	15
Chargless Piping Length(m)			5	5	5	5
Amount of additional Refrigerant (g)			20	20	20	20
Amount of Gas(g)			430	570	860	1300
Power Supply			indoor	indoor	indoor	indoor
Metering Device			capillary tube	capillary tube	capillary tube	capillary tube

Key Features



Triple Airflow



Easy Installation



Turbo Mode



Strong Airflow



Blue Fin



100% Copper



Long Distance Airflow



Sleep Mode

Rating Conditions: Cooling Indoor 27°C DB / 19°C WB, Cooling Outdoor 35°C DB / 24°C WB, Heating Indoor 20°C DB, Heating Outdoor 7°C DB / 6°C WB, (DB: Dry Bulb; WB: Wet Bulb)

For detailed information about ERP, please visit our page <http://www.haier.com/ecodesign>.

Model	Indoor		HSU-10LPB21	HSU-13LPB21	HSU-19LPB21
	Outdoor				
Capacity (W)	W		2812	3516	5275
	BTU		9600	12000	18000
Power input (W)	Cooling		845	1128	1795
CSPF			3.40	3.30	3.20
Star Rating			3	3	3
Running current (A)	Cooling		3.72	5.10	7.90
Power supply (Ph/V/Hz)			1/220-240/50	1/220-240/50	1/220-240/50
Air circulation (m³/h)			680	700	1,100
Moisture removal (10³m³/h)			1.4	1.6	2.0
Refrigerant			R32	R32	R32
Refrigerant pipe (mm)	Liquid side diameter		6.35	6.35	6.35
	Gas side diameter		9.52	9.52	12.70
Indoor					
Net dimension (mm)	W/D/H		805/200/292	805/200/292	975/220/318
Package dimension (mm)	W/D/H		874/270/363	874/270/363	1035/385/285
Net weight (kg)			9.0	9.2	13.0
Gross weight (kg)			11.0	11.2	15.0
Noise [dB(A)] (Hi/Mid/L0/So)			40/37/34/29	40/37/34/29	48/45/41/38
Outdoor					
Net dimension (mm)	W/D/H		695/245/430	800/280/550	800/280/550
Package dimension (mm)	W/D/H		810/354/490	954/409/625	954/409/625
Net weight (kg)			22.5	29.0	34.5
Gross weight (kg)			25.5	31.0	38.5
Noise [dB(A)]			53	52	56
Max Pipe Length(m)			15	15	25
Max Pipe Height(m)			10	10	15
Chargless Piping Length(m)			5	5	5
Amount of additional Refrigerant (g)			20	20	20
Amount of Gas(g)			430	570	860
Power Supply			indoor	indoor	indoor
Metering Device			capillary tube	capillary tube	capillary tube

Key Features



Triple Airflow



Nano-aqua



Easy Installation



Turbo Mode



Blue Fin



100% Copper



Long Distance Airflow



Sleep Mode

Rating Conditions: Cooling Indoor 27°C DB / 19°C WB, Cooling Outdoor 35°C DB / 24°C WB, Heating Indoor 20°C DB, Heating Outdoor 7°C DB / 6°C WB, (DB: Dry Bulb; WB: Wet Bulb)

For detailed information about ERP, please visit our page <http://www.haier.com/ecodesign>.